

## Bullard Bourke Eye Shields Part Number R309 Installation Instructions

### ⚠ WARNING

**READ ALL INSTRUCTIONS AND WARNINGS BEFORE USING THIS PRODUCT. SAVE THIS MANUAL FOR FUTURE REFERENCE.** The eye shields do not provide primary eye protection. The eye shields are not shatterproof and will not protect eyes from harmful rays. Large objects and/or objects travelling at high speeds may break or penetrate the eye shields and injure the wearer's face or eyes. Additional protection may be required. See ANSI/ISEA Z87.1 for reference. Inspect eye shields frequently and replace if damaged. Failure to observe these warnings could result in death or serious injury.

### Contents

This Bullard Bourke Eye Shields kit contains 2 qty 10-32 x 5/8 machine screws, 2 qty #10 3-4 Plastite screws, 2 plastic washers, 2 locking nuts, 2 Bourke brackets (ReTrak), and 2 qty 10-32 x 1/4 screws (ReTrak).

### Non-ReTrak Helmet Installation

- Step 1: Locate the metal frame so that the mounting holes are approximately 1" from the outside brim edge and the lenses are centered at the front of the helmet.
- Step 2: Mark the two hole locations in the Bourke Eye Shields frame on the underbrim side of the helmet shell.
- Step 3: Drill two holes through the brim with 3/16" drill.
- Step 4: Assemble screws, washers and nuts according to Figure 1. Rubber washer is between brim and Bourke.
- Step 5: Hand tighten screws with a Phillips head screw driver to a snug fit. Do not over torque to eliminate possible damage to the helmet shell.

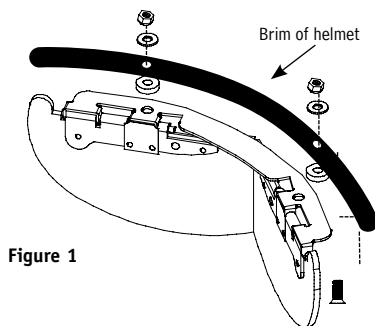


Figure 1

### ReTrak Helmet Installation

- Steps 1-3: Same as above
  - Step 4: Assemble screws, washers, nuts, and brackets according to Figure 2. Note, the rubber washers will not be used.
  - Step 5: Same as above
- Bourkes will attach to the brackets and the brackets will attach to the previously drilled holes

10-32 x 5/8 machine screw, or  
Plastite #10 3-4 if using TrakLite

10-32 x 1/4 screw

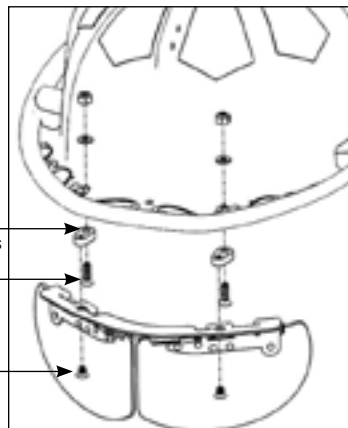


Figure 2



### ⓘ NOTES

- Performance properties of NFPA 1971 cannot be tested by users in the field.
- NFPA 1500, Standard on Fire Department Occupational Safety and Health Program requires members who engage in or are exposed to the hazards of structural firefighting shall be provided with and shall use, a protective ensemble that shall meet the applicable requirements of NFPA 1971 Standard on Protective Ensembles for Structural Fire Fighting and Proximity Fire Fighting.
- The protective ensemble must be used by members only under direct supervision of their fire department or employer in a manner consistent with OSHA 29 CFR 1910.132 General Requirements of Subpart I, Personal Protective Equipment.

### Cleaning

Clean eye shields with mild detergent, rinse thoroughly with clean water, and dry with a soft cloth.

### Storage

Store eye shields in a cool, dry place away from direct sunlight.

### Contamination and Decontamination

Special precautions must be taken if your protective helmet becomes contaminated with chemical or biological hazardous materials. The guidance for these precautions should be coordinated with the appropriate (local, state, and federal) authorities having jurisdiction for hazardous materials (HAZMAT).

Contaminated helmet ensembles should be isolated, contaminate(s) identified, and bodily contact should be avoided. Avoid spreading the contamination to interior spaces of buildings or vehicles, any living quarters, or personal belongings. If possible, seal the contaminated ensemble in a leak proof, sealable, air tight container. Disposal should be done in adherence to local, state, and federal laws. If the helmet is to be reused, it MUST be decontaminated before reuse. Decontamination should be performed using procedures established by decontamination professionals that will remove contaminate(s) while minimizing damage or compromise to the helmet. Failure to do so could result in increased risk of injury, illness, disease, or death.

### ⓘ NOTE

Installation of the Bourke Eye Shields render the helmet non-compliant to NFPA Standard 1971. According to the Temporary Interim Amendment 6.4.8: For helmets with items installed or attached, the helmet with the items installed/attached shall meet the affected design and performance requirements of this standard.



# Bourke Eye Shields Kit User Manual

---

**Americas:**

**Bullard**

1898 Safety Way  
Cynthiana, KY 41031-9303 • USA  
Toll-free within the USA: 877-BULLARD (285-5273)  
Tel: +1-859-234-6616  
Fax: +1-859-234-8987

**Europe:**

**Bullard GmbH**

Lilienthalstrasse 12  
53424 Remagen • Germany  
Tel: +49-2642 999980  
Fax : +49-2642 9999829

**Asia-Pacific:**

**Bullard Asia Pacific Pte. Ltd.**

LHK Building  
701, Sims Drive, #04-03  
Singapore 387383  
Tel: +65-6745-0556  
Fax: +65-6745-5176



©2018 Bullard. All rights reserved.  
Bullard is a registered trademark of Bullard.

6028005917E (0618)