
 **88VXAK Oval Door/Gasket/Latch Assembly**
For use with 88 Series and 88VX Series Airline Respirators

Kit includes:

- Inner lens
- Window frame
- Hinge pin
- Gasket
- Door latch bail




 **88VXRAK Rectangular Door/Gasket/Latch Assembly**
For use with 88 Series and 88VX Series Airline Respirators

Kit includes:

- Inner lens
- Window frame
- Hinge pin
- Gasket
- Door latch bail



 **BFW Box Front Window Frame**
For use with 88 Series and 88VX Series Airline Respirators

Kit includes:

- Box front window frame
- Hinge pin
- Door latch bail
- Tempered glass lens





Head Protection



Respiratory Protection



Fire and Rescue Safety



Thermal Imaging

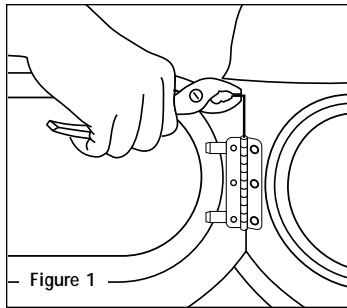


Figure 1

Replacing window frame and latch bail:

1. Remove the old window frame by using pliers to pull out the hinge pin (figure 1).
2. Secure the new door frame with a new hinge pin (bent end of pin on top) (figure 2).
3. Install the new window frame latch onto the original over-center clamp. Position the latch bail into the holes of the clamp as shown (figure 3).
4. Check the installation for tightness and proper sealing by visually inspecting the seal around the window frame and gasket.

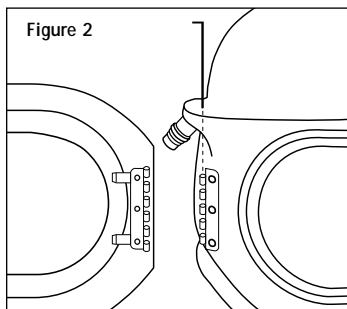


Figure 2

Replacing window frame gasket:

1. Remove the inner lens by pushing it outward from the inside while at the same time peeling the edge of the gasket away from the helmet shell. Then remove the old gasket from the window frame, and insert the new green gasket by carefully feeding its groove onto the lip of the window. Be sure to keep the gasket centered in the window frame to prevent distortion.
2. Check that the gasket is completely inserted around the window frame.

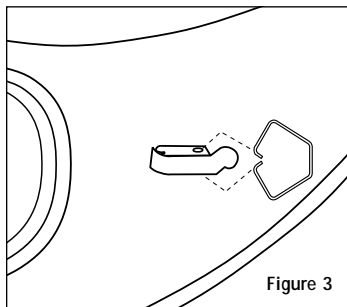


Figure 3

Replacing inner lens:

1. After replacing the window frame gasket, insert a new inner lens by lifting up on the outside edge of the gasket and feeding the edge of the lens into the inside groove in the gasket. Keep working the lens all the way around the gasket until it is entirely inserted. Be sure to keep the inner lens centered in the gasket to prevent distortion.
2. Check that the inner lens is completely inserted all the way around the gasket.

⚠ WARNING

Be sure the plastic 0.040" inner lens fits securely in the window frame gasket. Use only Bullard replacement lenses. Substituting other lenses voids NIOSH approval. Use of non-Bullard lenses may allow contaminants to enter the respirator and expose you to life-threatening conditions. Failure to follow these instructions could result in death or serious injury.

Bullard
1898 Safety Way
Cynthiana, KY 41031-9303
Toll free: 877-BULLARD (285-5273)
Tel: 859-234-6616
Fax: 859-234-8987
www.bullard.com

Bullard GmbH
Hochkreuzallee 36
53175 Bonn-Bad Godesberg
Germany
Tel: +49 228 931933 0
Fax: +49 228 931933 50



ISO 9001
certified

©2001 Bullard. All rights reserved including the right of reproduction, in whole or in part, in any form.

"It's your life and you're worth it" and 88VX are trademarks of Bullard.
6080885706 (0301)