

This addendum contains instructions for converting the POWERHOUSE Charging Station into a free-standing unit.



NOTE

Although the Powerhouse is designed for permanent vehicle installation, Bullard also provides this adapter kit for unattached, free-standing use. As a free-standing unit, the Powerhouse cannot provide secure storage of the thermal imager and its spare battery in a vehicle in accordance with NFPA 1901-10-1.7. Free-standing use is not recommended for vehicles. The adapter kit includes a back cover panel, rubber feet, an AC power adapter and necessary wiring connectors.

1. Attach Power Cord:

Attach the DC Power Cord to the tab at the lower end of the Back Plate (Figure 1).

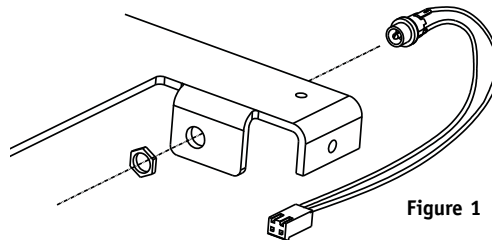


Figure 1

2. Reattach the Back Plate to the Powerhouse housing:

Place the latch spring (provided with the Powerhouse unit) firmly onto the protruding spring seat on the back of the latch, near the top of the Powerhouse unit. Set the unit in place on the back plate, making sure that the free end of the latch spring seats into the milled recess in the back plate and that the free end of the DC Power Cord extends toward the circuit board. The Powerhouse unit is a snug fit on the back plate, and it may be necessary to spread the sides slightly as you set it into place. Once in place, secure the unit to the back plate using the four (4) stainless steel #10-32 Phillips Head screws provided.

3. **Connect Power Cord to Powerhouse Circuit:** Plug the connector on the free end of the DC Power Cord into the mating connector on the battery charger circuit board (see Figure 4 of the Powerhouse Users' Manual).

4. Attach the Cover Plate:

Insert each screw into one of the four (4) rubber feet provided. Place the cover plate in place on the back of the Powerhouse assembly and secure it in place with the four screws and rubber feet. Tighten the feet finger tight; if necessary, gently tighten with a Phillips screwdriver. Do not overtighten (Figure 2).

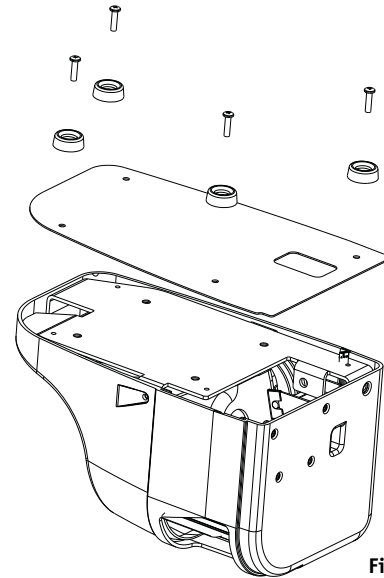


Figure 2

5. Attach AC/DC Power Supply:

Insert the DC plug of the Power Supply into the rectangular opening in the cover plate and plug it into the receptacle attached to the Powerhouse unit (Figure 3).

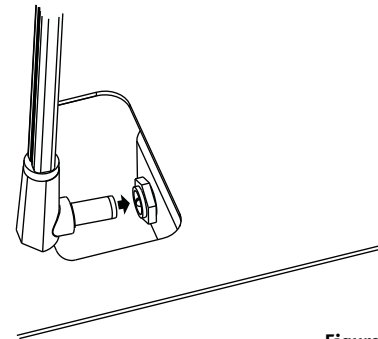


Figure 3

Place the finished assembly on its feet on a flat surface. Plug the power supply into a 110 volt AC receptacle and operate the unit as described in the Powerhouse User Manual.